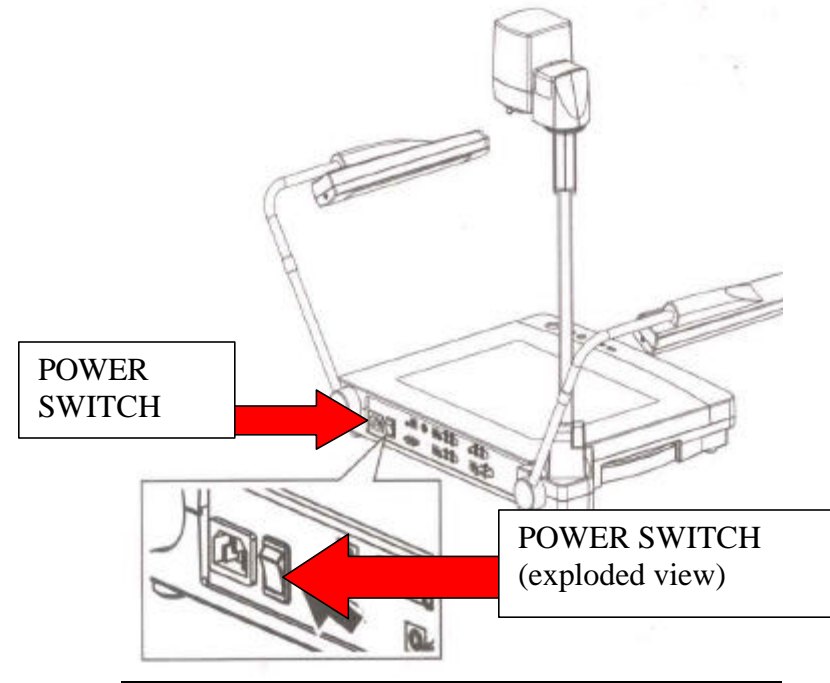
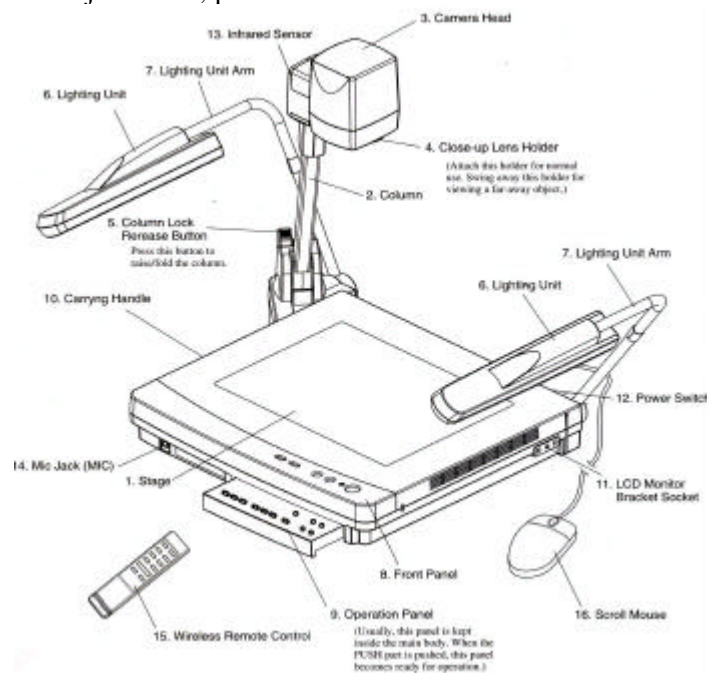


TO OPERATE THE ELMO VISUAL PRESENTER:***Turning ON the projector***

- 1) Turn on the computer equipment connected to the projector (PC/Mac)
- 2) Turn on the power for the VCR
- 3) Select "Video" by using the INPUT button on the Projector Remote to view the Visual Presenter on the projection screen.
- 4) For Videotapes, insert videotape and press Play to project to the screen.

NOTE: CHECK the POWER SWITCH (located on the middle divider) INSIDE THE RIGHT CABINET OF THE NOVA TEACHER STATION. It should light up **RED** to indicate that the teacher station is receiving power.

- 5) Turn the Visual Presenter ON by pressing the **POWER** button on the right side of the back of the unit (as viewed from the front).
- 6) Place the book or object on the stage/ platform.
- 7) If needed, press the **ZOOM** button to obtain optimum size.
- 8) To adjust focus, press the **Auto Focus** button

***Turning OFF the projector***

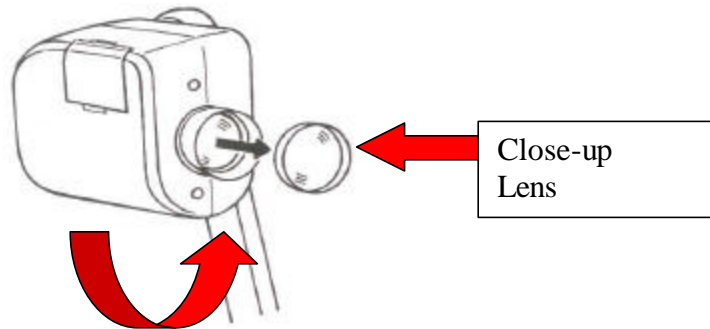
- 1) Press the **POWER** button on the unit to OFF.
- 2) Turn **OFF** the equipment connected to the projector.
- 3) Done!

Simple steps for presenting printed materials:

- 1) Turn the power switch to the "ON" position.
- 2) Place the object on the stage. While watching the image on the projection screen, adjust for optimum size using the ZOOM button.
- 3) Press the AUTO FOCUS button to focus the projected image.
Auto Focus coverage is up to approx. 6 in. above the stage Surface with the close-up lens attached. If your object is taller than this, adjust FOCUS manually.

The camera head can be used as a conventional video camera, and can be aimed at objects, wall maps, posters, etc. To use as a video camera:

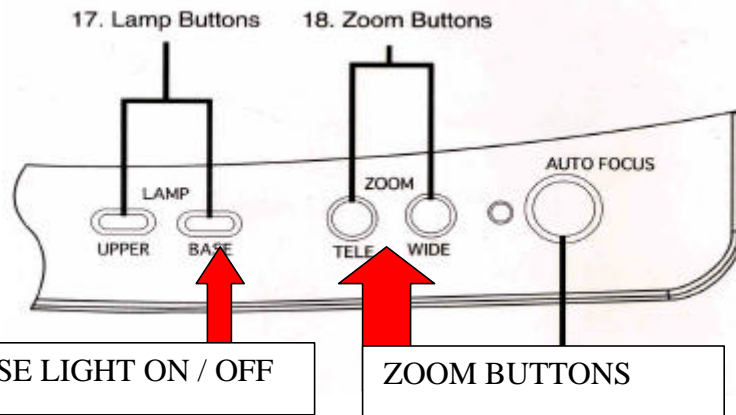
- 1) Remove the close-up lens when shooting at telephoto position.



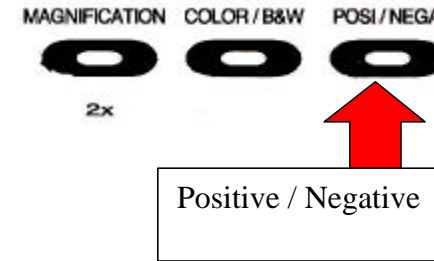
- 2) Turn the camera head to aim at the object.

To view slides or transparencies:

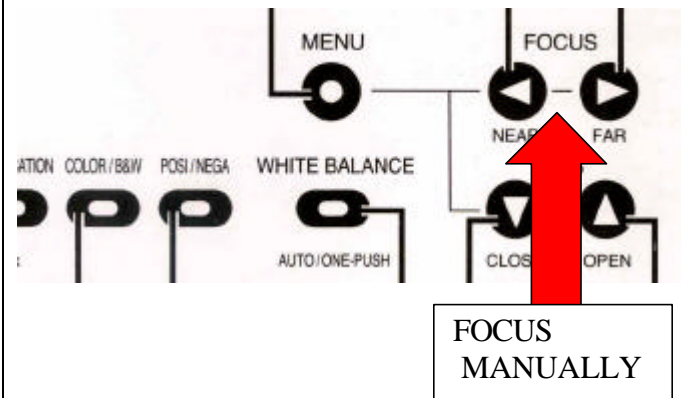
- 1) Press the Lighting Button labeled "BASE" on the unit, or press "LAMP" on the remote control. The light in the base of the presenter unit will come on. Both lights will not operate at the same time.



- 2) Press the Negative / Positive Conversion Button to Negative. This can not be done using the remote.

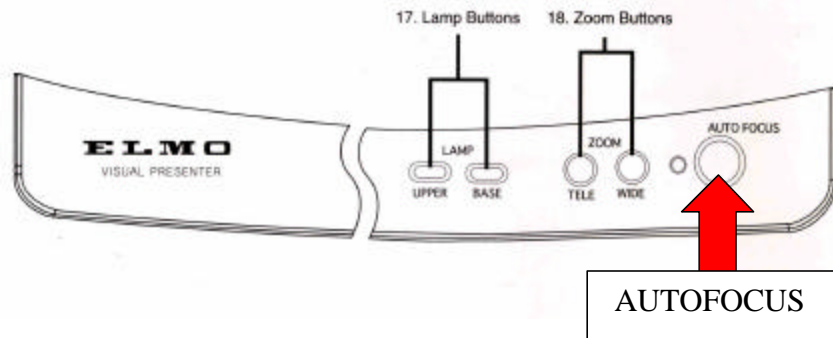


- 3) Focus manually using the FOCUS Buttons, TELE or WIDE.



OR: press AUTOFOCUS on the front panel

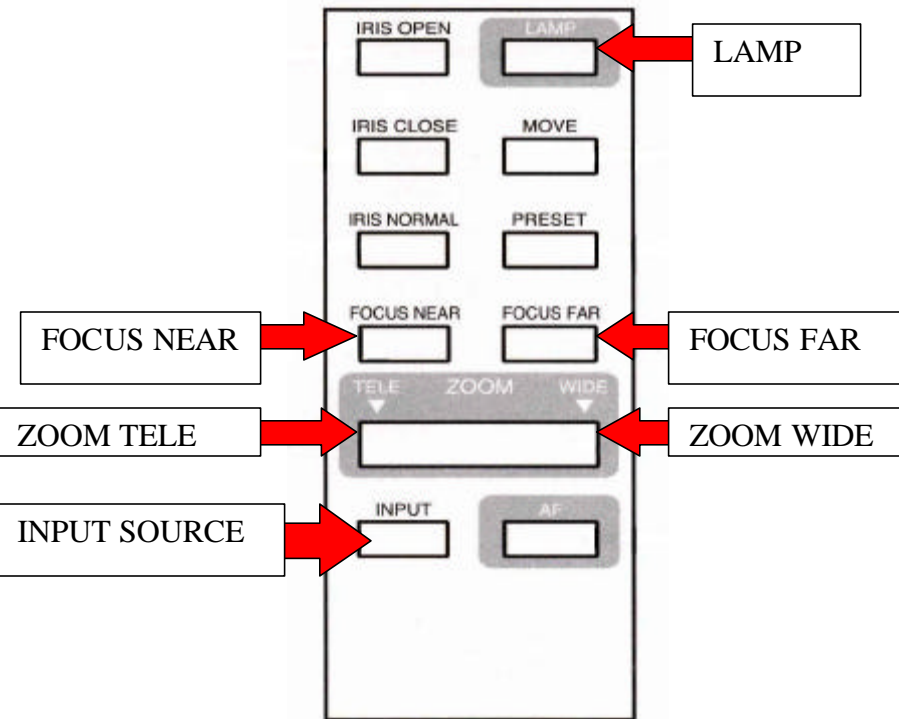
○ Front Panel



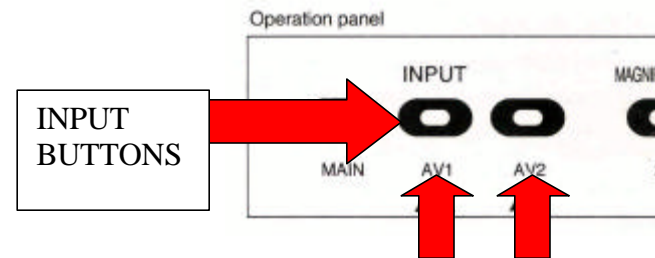
- 4) Place the slide(s) or transparency on the backlit base in view of the camera.
- 5) Adjust the zoom for best size. Press “Tele” or “Wide” on the unit or on the remote control (see picture on previous page).
- 6) Adjust the focus using the **Auto Focus** Button, or using the manual focus buttons on the unit or remote control.

The Video Input from two different sources can be alternately selected using the “INPUT” button on either the unit or the remote.

REMOTE CONTROL



On the unit:



Or the remote control:

